

- Fitting OPTIONS :
- 1) MATERIAL CONSTRUCTION : STAINLESS STEEL
 - 2) VOLTAGE : 110V / 230V / 415V AC
 - 3) CABLE GLAND & PLUG : BRASS/S.S./ALUMINIUM
 - 4) PAINT SHADE : 632/355/7031/7032, etc... (As per Standard)
 - 5) CANOPY : M.S. / G.I. / FRP
 - 6) AMP. RATING : UPTO 32 Amp. (MAX.)

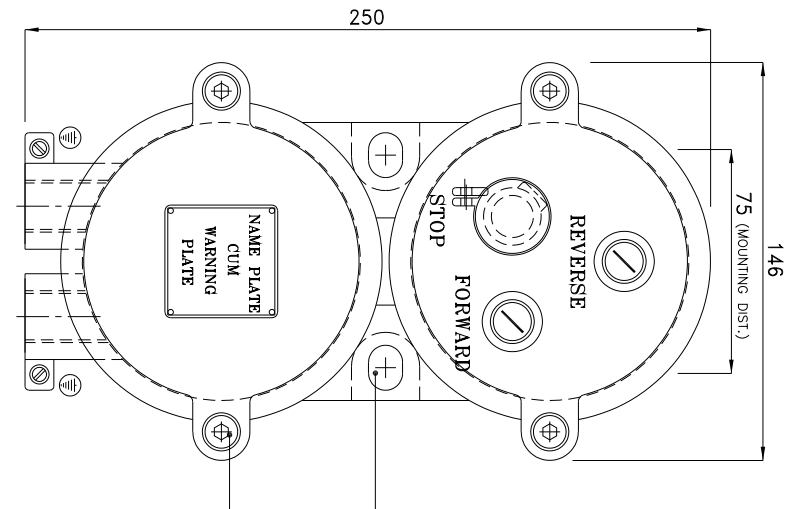
- Reference IS/IEC Standard as follows :
- 1 - FLAMEPROOF (Ex d) PROTECTION - IIA/IIb, IS/IEC 60079-1 (2014)
 - TEMPERATURE CLASS - T6
 - 2 - INGRESS (IP) PROTECTION - IP-66, IS/IEC 60529 (2001). (Reaffirmed 2014)
- Standard Specification :
- 1 - MATERIAL - CAST ALUMINIUM ALLOY
 - 2 - FINISH - INSIDE & OUTSIDE LIGHT GREY EPOXY POWDER COATING SHADE No. 631 AS PER IS-5
 - 3 - EARTHING - 1 No. INSIDE & 2 Nos. OUTSIDE M6 SIZE S.S./BRASS SCREWS WITH 2 Nos. PLAIN WASHER
 - 4 - HARDWARE - STAINLESS STEEL
 - 5 - GASKET - 'O' RING NEOPRENE RUBBER GASKET
 - 6 - MOUNTING ARRGT. - AS SHOWN IN DRG.

- Material / Components Specification :
- 1 - S.S. NAME CUM WARNING PLATE (WITH DESCRIPTION TITLE, CIMFR, PESO, SR. NO., GAS GROUP, RATING, BIS MARKING, WARNING STATUS, etc...)
 - 2 - ELEMENT - 2 Nos. 10 Amp, 415V AC, 1NO+1NC CONTACT ELEMENT OF 'TEKING/VANSHNO' MAKE
 - 3 - ACTUATOR - 1 No. GREEN COLOUR SPRING RETURN TYPE & 1 No. RED COLOUR MUSHROOM HEAD, PRESS & TURN TO 'STOP' & REVERSE TURN TO RELEASE TYPE ACTUATOR OF 'SUDHIR' MAKE (NECESSARY PAD LOCKING ARRGT. IN 'STOP' POSITION WITHOUT LOCK)
 - 4 - TERMINALS - 4 Nos. 2.5sq. mm CLIP-ON TYPE TERMINALS OF 'ELMEX/CONNECTWELL' MAKE
 - 5 - CABLE ENTRIES - 2 Nos. M20 / 1 1/2" NPT / 3/4" ET EQUIVALENT
 - 6 - CABLE ENTRIES FROM BOTTOM SIDE - REFER DRAWING
 - 7 - STOPPING PLUG - (Ex d) STOPPING PLUG TYPE CABLE GLAND OF 'SUDHIR' MAKE

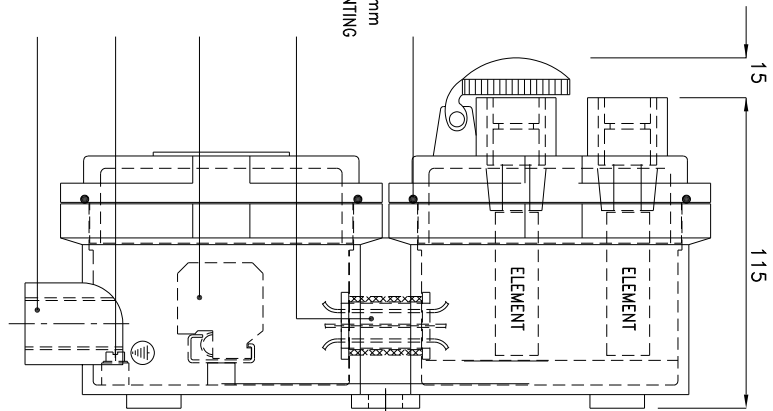
Page No. : 126

THIS DRAWING IS PROPERTY OF "SUDHIR SWITCHGEARS PVT. LTD." AND MUST BE RETURNED ON REQUEST IF IT IS SUBMITTED AS CONFIDENTIAL INFORMATION IN CONNECTION WITH ENQUIRY, TENDER, ORDER, OR CONTRACTS IT IS NOT TO BE USED FOR ANY OTHER PURPOSE OR ORDER NOR MAY IT RE-COPIED OR LENT WITHOUT OUR AUTHORITY IN WRITING.

<p>NOTE :</p> <p>COMPONENT LAYOUT IS TENTATIVE RELOCATION OF PARTS & COMPONENTS IS POSSIBLE AT THE TIME OF ACTUAL MANUFACTURING.</p> <p>OVERALL DIMENSIONS ARE ±10mm</p>		<p>CAT. No. PBS/1010</p> <p>MODEL No.: PBS/1010-1</p> <p>DRN. / profill</p> <p>CHKD. / JMSHW</p> <p>APPD. /</p> <p>SHEET 1 OF 1</p> <p>SCALE N. T. S. REV.-0</p>				
<p>SUDHIR SWITCHGEARS PVT. LTD.</p> <p>130, MALLA SAMAJOOR MARG, MALLA - 400 023</p> <p>TITLE : FLAMEPROOF-WEATHERPROOF ENCLOSURE FOR PUSH BUTTON STATION</p> <p>QMR. CERT. No.</p> <p>IN/CIMFR/TR21/R/H124</p> <p>Dt. 08/07/2021</p>		<p>PESO No. :</p> <p>P537976/1</p> <p>Dt. 02/06/2022</p> <p>BIS LICENCE No. :</p> <p>CM/L-000331365</p>				
REV.	DATE	DESCRIPTION	DRN.	CHKD.	APPD.	SCALE



FRONT VIEW



SIDE VIEW

- RUBBER GASKET
- 2 Nos. 12 x 16mm SLOTS FOR MOUNTING
- WIRE SLEEVE
- HARDWARE (M8) CLIP-ON TYPE TERMINALS
- EARTHING
- CABLE ENTRY (BOTTOM SIDE)

- Reference IS/IEC Standard as follows :
- 1 - FLAMERPROOF (Ex d) PROTECTION - IIA/IIb, IS/IEC 60079-1 (2014)
 - TEMPERATURE CLASS - T6
 - 2 - INGRESS (IP) PROTECTION - IP-66, IS/IEC 60529 (2001). (Reaffirmed 2014)

Standard Specification :

- 1 - MATERIAL - CAST ALUMINIUM ALLOY
- 2 - FINISH - INSIDE & OUTSIDE LIGHT GREY EPOXY POWDER COATING SHADE No. 631 AS PER IS-5
- 3 - EARTHING - 1 No. INSIDE & 2 Nos. OUTSIDE M6 SIZE S.S./BRASS SCREWS WITH 2 Nos. PLAIN WASHER
- 4 - HARDWARE - STAINLESS STEEL
- 5 - GASKET - 'O' RING NEOPRENE RUBBER GASKET
- 6 - MOUNTING ARRGT. - AS SHOWN IN DRG.

Material / Components Specification :

- 1 - S.S. NAME CUM WARNING PLATE (WITH DESCRIPTION TITLE, CIMFR, PESO, SR. NO., GAS GROUP, RATING, BIS MARKING, WARNING STATUS, etc...)
- 2 - ELEMENT - 3 Nos. 10 Amp, 415V AC, 1NO+1NC CONTACT ELEMENT OF 'TEKING/VANSHNO' MAKE
- 3 - ACTUATOR - 2 No. GREEN COLOUR SPRING RETURN TYPE & 1 No. RED COLOUR MUSHROOM HEAD, PRESS & TURN TO 'STOP' & REVERSE TURN TO RELEASE TYPE ACTUATOR OF 'SUDHIR' MAKE (NECESSARY PAD LOCKING ARRGT. IN 'STOP' POSITION WITHOUT LOCK)
- 4 - TERMINALS - 6 Nos. 2.5sq. mm CLIP-ON TYPE TERMINALS OF 'ELWEX/CONNECTWELL' MAKE
- 5 - CABLE ENTRIES - 2 Nos. M20 / 1 1/2" NPT / 3/4" ET EQUIVALENT
- 6 - CABLE ENTRIES FROM BOTTOM SIDE - REFER DRAWING
- 7 - STOPPING PLUG - (Ex d) STOPPING PLUG OF 'SUDHIR' MAKE

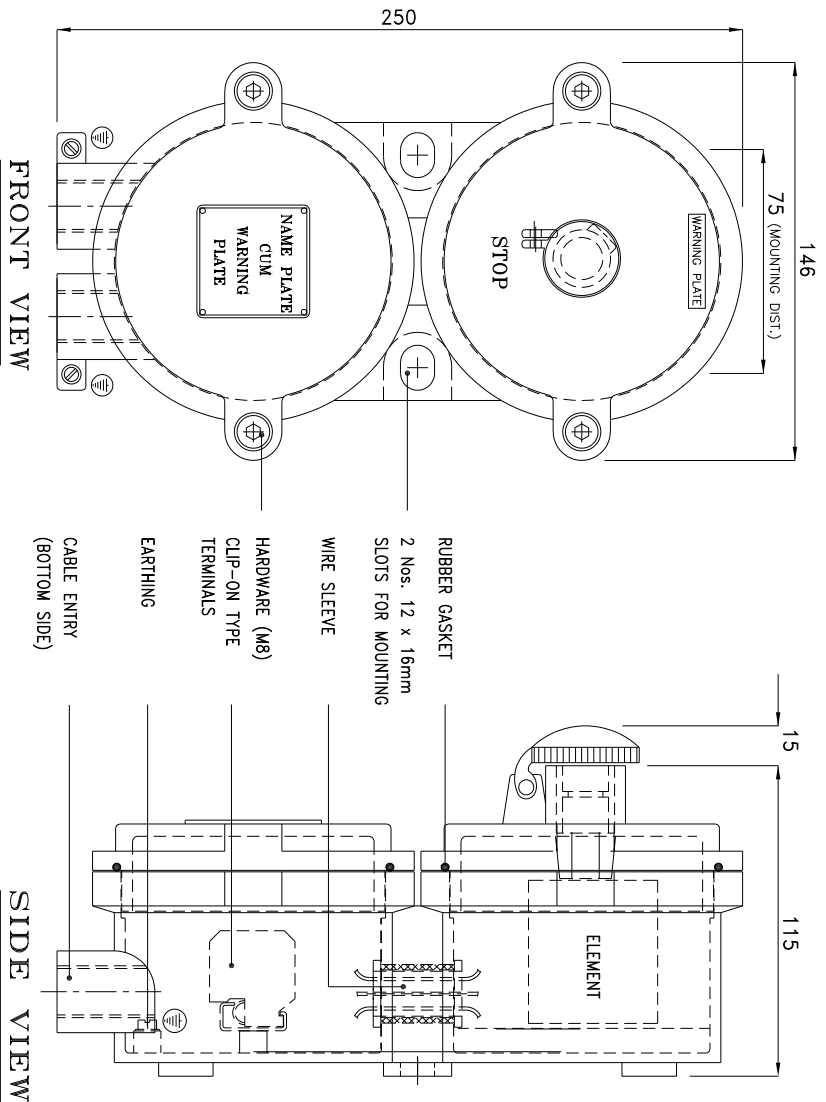
Fitting OPTIONS :

- 1) MATERIAL CONSTRUCTION : STAINLESS STEEL
- 2) VOLTAGE : 110V / 230V / 415V AC
- 3) CABLE GLAND & PLUG : BRASS/S.S./ALUMINIUM
- 4) PAINT SHADE : 632/355/7031/7032, etc... (As per Standard)
- 5) CANOPY : M.S. / G.I. / FRP
- 6) AMP. RATING : UPTO 32 Amp. (MAX.)

NOTE :
 COMPONENT LAYOUT IS TENTATIVE RELOCATION OF PARTS & COMPONENTS IS POSSIBLE AT THE TIME OF ACTUAL MANUFACTURING.
 OVERALL DIMENSIONS ARE ±10mm

REV.	DATE	DESCRIPTION	DRN.	CHD.	APPD.	SCALE	CAT. No. PBS/1010	MODEL No.: PBS/1010-1	DRN.	profill	CHKD.	JASNAK	CARR. CERT. No.	IN/CIMFR/TR21/R/H124	PESO No. : P537976/1	BIS LICENCE No. : CM/L-000331365
														Dt. 08/07/2021	Dt. 02/06/2022	

THIS DRAWING IS PROPERTY OF "SUDHIR SWITCHGEARS PVT. LTD." AND MUST BE RETURNED ON REQUEST IF IT IS SUBMITTED AS CONFIDENTIAL INFORMATION IN CONNECTION WITH ENQUIRY, TENDER, ORDER, OR CONTRACTS IT IS NOT TO BE USED FOR ANY OTHER PURPOSE OR ORDER NOR MAY IT RE-COPIED OR LENT WITHOUT OUR AUTHORITY IN WRITING.



Fitting OPTIONS :

- 1) MATERIAL CONSTRUCTION : STAINLESS STEEL
- 2) VOLTAGE : 110V / 230V / 415V AC
- 3) CABLE GLAND & PLUG : BRASS/S.S./ALUMINIUM
- 4) PAINT SHADE : 632/355/7031/7032, etc... (As per Standard)
- 5) CANOPY : M.S. / G.I. / FRP
- 6) AMP. RATING : UPTO 32 Amp. (MAX.)

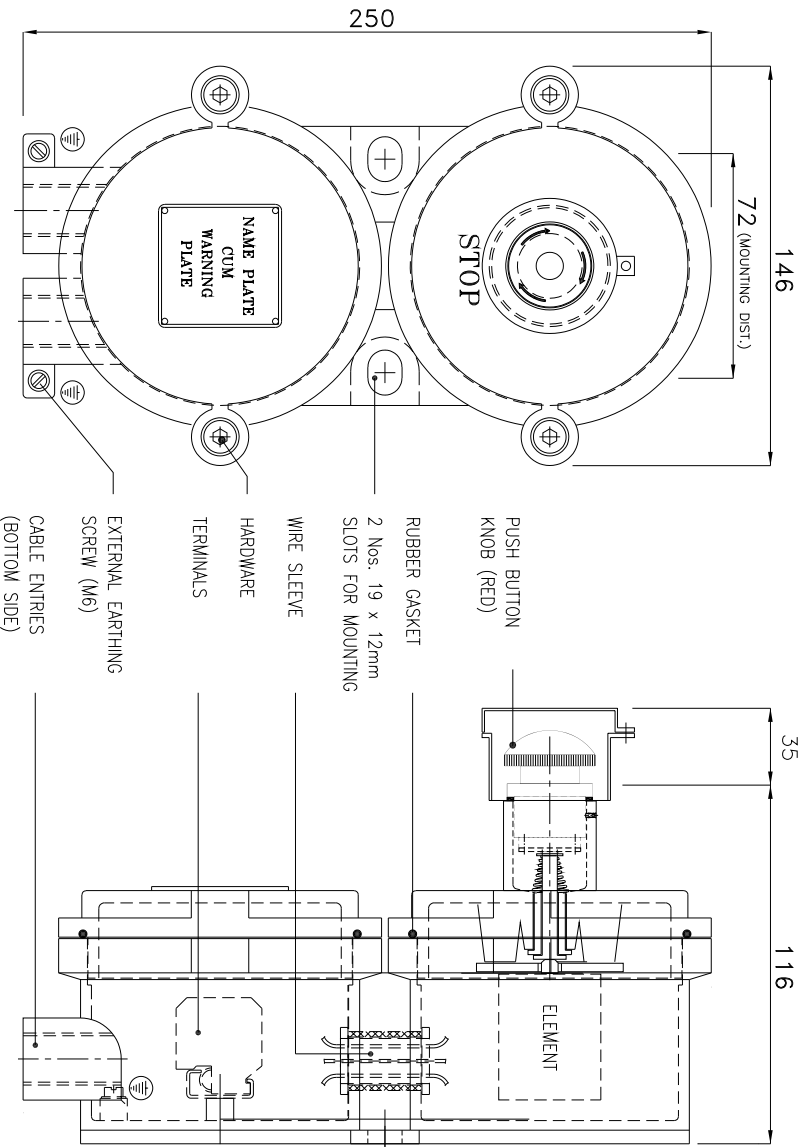
- Reference IS/IEC Standard as follows :**
- 1 - FLAMEPROOF (Ex d) PROTECTION - IIA/IIb, IS/IEC 60079-1 (2014)
 - TEMPERATURE CLASS - T6
 - 2 - INGRESS (IP) PROTECTION - IP-66, IS/IEC 60529 (2001). (Reaffirmed 2014)
- Standard Specification :**
- 1 - MATERIAL - CAST ALUMINIUM ALLOY
 - 2 - FINISH - INSIDE & OUTSIDE LIGHT GREY EPOXY POWDER COATING SHADE No. 631 AS PER IS-5
 - 3 - EARTHING - 1 No. INSIDE & 2 Nos. OUTSIDE M6 SIZE S.S./BRASS SCREWS WITH 2 Nos. PLAIN WASHER
 - 4 - HARDWARE - STAINLESS STEEL
 - 5 - GASKET - 'O' RING NEOPRENE RUBBER GASKET
 - 6 - MOUNTING ARRGT. - AS SHOWN IN DRG.
- Material / Components Specification :**
- 1 - S.S. NAME CUM WARNING PLATE (WITH DESCRIPTION TITLE, CIMFR, PESO, SR. NO., GAS GROUP, RATING, BIS MARKING, WARNING STATUS, etc...)
 - 2 - ELEMENT - 1 No. 10 Amp., 415V AC, 1NO+1NC CONTACT ELEMENT OF 'TEKING/VANSHNO' MAKE
 - 3 - ACTUATOR - 1 No. RED COLOUR MUSHROOM HEAD, PRESS & TURN TO 'STOP' & REVERSE TURN TO RELEASE TYPE ACTUATOR OF 'SUDHIR' MAKE (NECESSARY PAD LOCKING ARRGT. IN 'STOP' POSITION WITHOUT LOCK)
 - 4 - TERMINALS - 2 Nos. 2.5sq. mm CLIP-ON TYPE TERMINALS OF 'ELMEX/CONNECTWELL' MAKE
 - 5 - CABLE ENTRIES - 2 Nos. M20 / 1/2" NPT / 3/4" ET EQUIVALENT
 - CABLE ENTRIES FROM BOTTOM SIDE - REFER DRAWING
 - 6 - CABLE GLAND - (Ex d) DOUBLE COMPRESSION TYPE CABLE GLAND OF 'SUDHIR' MAKE
 - 7 - STOPPING PLUG - (Ex d) STOPPING PLUG OF 'SUDHIR' MAKE

THIS DRAWING IS PROPERTY OF "SUDHIR SWITCHGEARS PVT. LTD." AND MUST BE RETURNED ON REQUEST IF IT IS SUBMITTED AS CONFIDENTIAL INFORMATION IN CONNECTION WITH ENQUIRY, TENDER, ORDER, OR CONTRACTS IT IS NOT TO BE USED FOR ANY OTHER PURPOSE OR ORDER NOR MAY IT RE-COPIED OR LENT WITHOUT OUR AUTHORITY IN WRITING.

NOTE :		CAT. No.	PBS/1010
COMPONENT LAYOUT IS TENTATIVE RELOCATION OF PARTS & COMPONENTS IS POSSIBLE AT THE TIME OF ACTUAL MANUFACTURING.		MODEL No.:	PBS/1010-2
OVERALL DIMENSIONS ARE ±10mm		DRN.	profill
Δ		CHKD.	JASJHV
Δ		APPD.	
Δ		SHEET	1 OF 1
REV.	DATE	DESCRIPTION	DRN.
			CHKD.
			APPD.
			SCALE
			N. T. S. REV.-0

SUDHIR SWITCHGEARS PVT. LTD.
 130, MALLA SAIKUPPAH MARG, MALLA - 400 023
FLAMEPROOF-WEATHERPROOF ENCLOSURE FOR PUSH BUTTON STATION

QMR. CERT. No. :
 IN/CIMFR/TR21/R/H124
 Dt. 08/07/2021
 PESO No. :
 P537976/1
 Dt. 02/06/2022
 BIS LICENCE No. :
 CM/L-0003331365



FRONT VIEW

SIDE VIEW

- Fitting OPTIONS :**
- 1) MATERIAL CONSTRUCTION : STAINLESS STEEL
 - 2) VOLTAGE : 110V / 230V / 415V AC
 - 3) CABLE GLAND & PLUG : BRASS/S.S./ALUMINIUM
 - 4) PAINT SHADE : 632/355/7031/7032, etc... (As per Standard)
 - 5) CANOPY : M.S. / G.I. / FRP
 - 6) AMP. RATING : UP TO 32 Amp. (MAX.)
 - 7) PROTECTIVE COVER : TRANSPARENT PLASTIC PROTECTIVE COVER

- Reference IS/IEC Standard as follows :**
- 1 - FLAMEPROOF (Ex d) PROTECTION - IIA/IB, IS/IEC 60079-1 (2014)
 - TEMPERATURE CLASS - T6
 - 2 - INGRESS (IP) PROTECTION - IP-66, IS/IEC 60529 (2001). (Reaffirmed 2014)
- Standard Specification :**
- 1 - MATERIAL - CAST ALUMINIUM ALLOY
 - 2 - FINISH - INSIDE & OUTSIDE LIGHT GREY EPOXY POWDER COATING SHADE No. 631 AS PER IS-5
 - 3 - EARTHING - 1 No. INSIDE & 2 Nos. OUTSIDE M6 SIZE S.S./BRASS SCREWS WITH 2 Nos. PLAIN WASHER
 - 4 - HARDWARE - STAINLESS STEEL
 - 5 - GASKET - 'O' RING NEOPRENE RUBBER GASKET
 - 6 - MOUNTING ARRGT. - AS SHOWN IN DRG.

- Material / Components Specification :**
- 1 - S.S. NAME CUM WARNING PLATE (WITH DESCRIPTION TITLE, CIMFR, PESO, SR. NO., GAS GROUP, RATING, BIS MARKING, WARNING STATUS, etc...)
 - 2 - ELEMENT - 1 No. 10 Amp., 415V AC, 1NO+1NC CONTACT ELEMENT OF 'TEKNIK/VASHNO' MAKE
 - 3 - ACTUATOR - 1 No. RED COLOUR MUSHROOM HEAD, PRESS TO 'STOP' & TURN TO RELEASE TYPE ACTUATOR OF 'SUDHIR' MAKE
 - 4 - TERMINALS - 2 Nos. 2.5sq. mm CLIP-ON TYPE TERMINALS OF 'ELIMEX/CONNECTWELL' MAKE
 - 5 - CABLE ENTRIES - 2 Nos. M20 / 1/2" NPT / 3/4" ET EQUIVALENT
 - CABLE ENTRIES FROM BOTTOM SIDE - REFER DRAWING
 - 6 - CABLE GLAND - (Ex d) DOUBLE COMPRESSION TYPE CABLE GLAND OF 'SUDHIR' MAKE
 - 7 - STOPPING PLUG - (Ex d) STOPPING PLUG OF 'SUDHIR' MAKE

THIS DRAWING IS PROPERTY OF "SUDHIR SWITCHGEARS PVT. LTD." AND MUST BE RETURNED ON REQUEST IF IT IS SUBMITTED AS CONFIDENTIAL INFORMATION IN CONNECTION WITH ENQUIRY, TENDER, ORDER, OR CONTRACTS IT IS NOT TO BE USED FOR ANY OTHER PURPOSE OR ORDER NOR MAY IT RE-COPIED OR LENT WITHOUT OUR AUTHORITY IN WRITING.

NOTE :		CAT. No.	PBS/1010
COMPONENT LAYOUT IS TENTATIVE RELOCATION OF PARTS & COMPONENTS IS POSSIBLE AT THE TIME OF ACTUAL MANUFACTURING.		MODEL No.	PBS/1010-3
OVERALL DIMENSIONS ARE ±10mm		DRN.	profill
CHD.	JASNAK	APPL.	
DRN.		SHEET	1 OF 1
APPL.		SCALE	N. T. S. REV.-0
DRN.		CHD.	
APPL.		APPL.	
SCALE		SCALE	
REV.	DATE	DESCRIPTION	DRN.

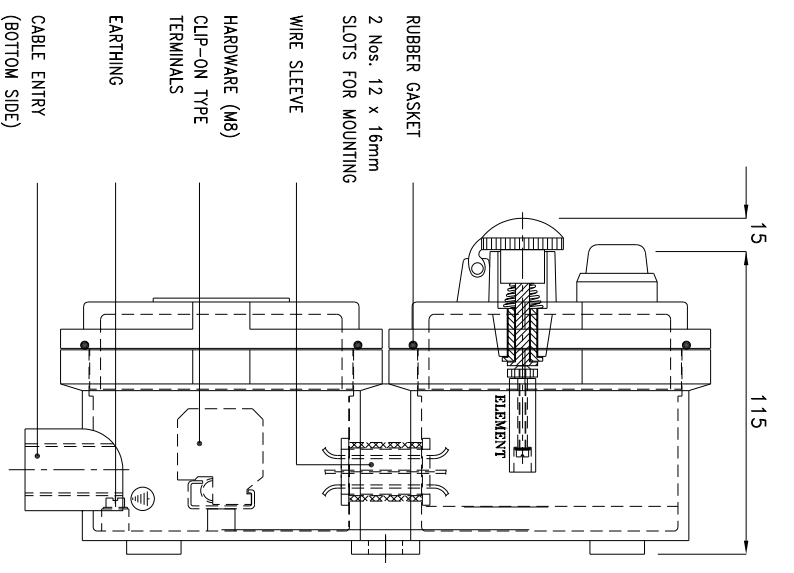
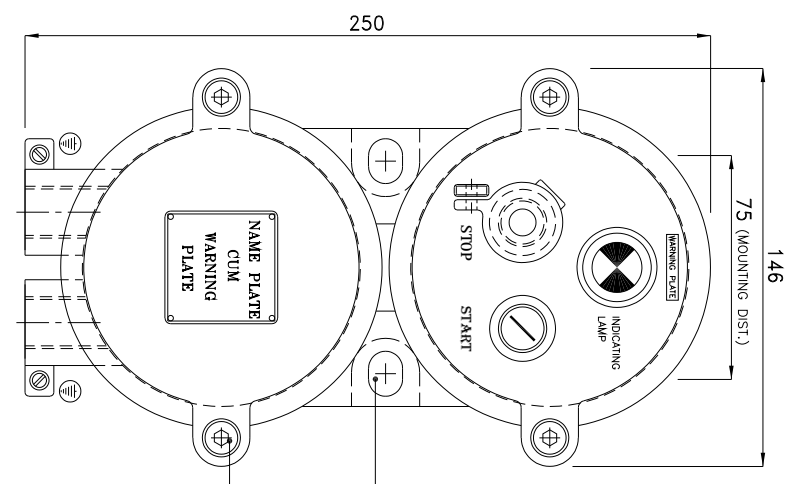
SUDHIR SWITCHGEARS PVT. LTD.
 130, MULBETA SAMACHAR MARG, MULBETA - 400 023

TITLE : FLAMEPROOF-WEATHERPROOF ENCLOSURE FOR PUSH BUTTON STATION

QMR. CERT. No. : IN/CIMFR/TR21/R/H124
 Dt. 08/07/2021

PESO No. : PS37976/1
 Dt. 02/06/2022

BIS LICENCE No. : CM/L-000331365



FRONT VIEW

SIDE VIEW

Fitting OPTIONS :

- 1) MATERIAL CONSTRUCTION : STAINLESS STEEL
- 2) VOLTAGE : 110V / 230V / 415V AC
- 3) CABLE GLAND & PLUG : BRASS/S.S./ALUMINIUM
- 4) PAINT SHADE : 632/355/7031/7032, etc... (As per Standard)
- 5) CANOPY : M.S. / G.I. / FRP
- 6) AMP. RATING : UPTO 32 Amp. (MAX.)

- Reference IS/IEC Standard as follows :
- 1 - FLAMEPROOF (Ex d) PROTECTION - IIA/IIb, IS/IEC 60079-1 (2014)
 - TEMPERATURE CLASS - T6
 - 2 - INGRESS (IP) PROTECTION - IP-66, IS/IEC 60529 (2001). (Reaffirmed 2014)
- Standard Specification :
- 1 - MATERIAL - CAST ALUMINIUM ALLOY
 - 2 - FINISH - INSIDE & OUTSIDE LIGHT GREY EPOXY POWDER COATING SHADE No. 631 AS PER IS-5
 - 3 - EARTHING - 1 No. INSIDE & 2 Nos. OUTSIDE M6 SIZE S.S./BRASS SCREWS WITH 2 Nos. PLAIN WASHER
 - 4 - HARDWARE - STAINLESS STEEL
 - 5 - GASKET - 'O' RING NEOPRENE RUBBER GASKET
 - 6 - MOUNTING ARRGT. - AS SHOWN IN DRG.

Material / Components Specification :

- 1 - S.S. NAME CUM WARNING PLATE (WITH DESCRIPTION TITLE, CIMFR, PESO, SR. NO., GAS GROUP, RATING, BIS MARKING, WARNING STATUS, etc...)
- 2 - INDICATING LAMP - 1 No. 230V AC, LED TYPE INDICATING LAMP OF 'TEKNIK/VAISHNO' MAKE (WITH COLOUR LENCE)
- 3 - ELEMENT - 2 Nos. 10 Amp., 415V AC, INO+INC CONTACT ELEMENT OF 'TEKNIK/VAISHNO' MAKE
- 4 - ACTUATOR - 1 No. GREEN COLOUR SPRING RETURN TYPE & 1 No. RED COLOUR MUSHROOM HEAD, PRESS & TURN TO 'STOP' & REVERSE TURN TO RELEASE TYPE ACTUATOR OF 'SUDHIR' MAKE (NECESSARY PAD LOCKING ARRGT. IN 'STOP' POSITION WITHOUT LOCK)
- 5 - TERMINALS - 4 Nos. 2.5sq. mm CLIP-ON TYPE TERMINALS OF 'ELIMEX/CONNECTWELL' MAKE
- 6 - CABLE ENTRIES - 2 Nos. M20 / 1/2" NPT / 3/4" ET EQUIVALENT
- CABLE ENTRIES FROM BOTTOM SIDE - REFER DRAWING
- 7 - CABLE GLAND - (Ex d) DOUBLE COMPRESSION TYPE CABLE GLAND OF 'SUDHIR' MAKE
- 8 - STOPPING PLUG - (Ex d) STOPPING PLUG OF 'SUDHIR' MAKE

THIS DRAWING IS PROPERTY OF "SUDHIR SWITCHGEARS PVT. LTD." AND MUST BE RETURNED ON REQUEST IF IT IS SUBMITTED AS CONFIDENTIAL INFORMATION IN CONNECTION WITH ENQUIRY, TENDER, ORDER, OR CONTRACTS IT IS NOT TO BE USED FOR ANY OTHER PURPOSE OR ORDER NOR MAY IT BE RE-COPIED OR LENT WITHOUT OUR AUTHORITY IN WRITING.

NOTE :

- COMPONENT LAYOUT IS TENTATIVE RELOCATION OF PARTS & COMPONENTS IS POSSIBLE AT THE TIME OF ACTUAL MANUFACTURING.
- OVERALL DIMENSIONS ARE ±10mm

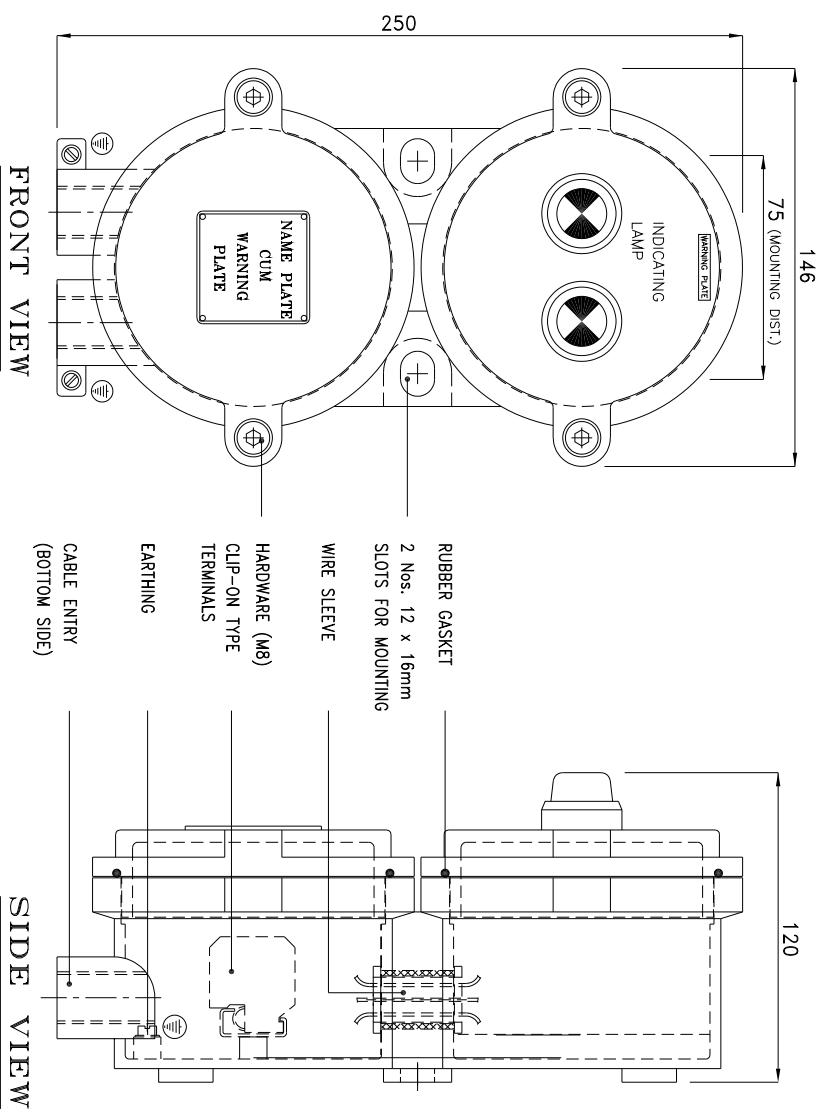
DRN.	CHKD.	APPR.	SCALE	DATE	REV.

CAT. No.	PBS/1010
MODEL No.:	PBS/1010-4
DRN.	profill
CHKD.	JASHUK
APPR.	
SHEET	1 OF 1
N. T. S.	REV.-0

QMR. CERT. No.	PESD No. :	BIS LICENCE No. :
IN/CIMFR/TR21/R/H124	P537976/1	CM/L-000331365
Dt. 08/07/2021	Dt. 02/06/2022	

SUDHIR SWITCHGEARS PVT. LTD.
130, MADRA SAMACHEE MARG, MADRA - 400 023

TITLE : **FLAMEPROOF-WEATHERPROOF ENCLOSURE FOR PUSH BUTTON STATION**



- Reference IS/IEC Standard as follows :
- 1 - FLAMEPROOF (Ex d) PROTECTION - IIA/IIb, IS/IEC 60079-1 (2014)
 - TEMPERATURE CLASS - T6
 - 2 - INGRESS (IP) PROTECTION - IP-66, IS/IEC 60529 (2001). (Reaffirmed 2014)
- Standard Specification :
- 1 - MATERIAL - CAST ALUMINIUM ALLOY
 - 2 - FINISH - INSIDE & OUTSIDE LIGHT GREY EPOXY POWDER COATING SHADE No. 631 AS PER IS-5
 - 3 - EARTHING - 1 No. INSIDE & 2 Nos. OUTSIDE M6 SIZE S.S./BRASS SCREWS WITH 2 Nos. PLAIN WASHER
 - 4 - HARDWARE - STAINLESS STEEL
 - 5 - GASKET - 'O' RING NEOPRENE RUBBER GASKET
 - 6 - MOUNTING ARRGT. - AS SHOWN IN DRG.
- Material / Components Specification :
- 1 - S.S. NAME CUM WARNING PLATE (WITH DESCRIPTION TITLE, CIMFR, PESO, SR. NO., GAS GROUP, RATING, BIS MARKING, WARNING STATUS, etc...)
 - 2 - INDICATING LAMP - 2 Nos. 230V AC, LED TYPE INDICATING LAMP OF 'TEKING/VANSHNO' MAKE (WITH COLOUR LENCE)
 - 3 - TERMINALS - 4 Nos. 2.5sq. mm CLIP-ON TYPE TERMINALS OF 'ELMEX/CONNECTWELL' MAKE
 - 4 - CABLE ENTRIES - 2 Nos. M20 / 1/2" NPT / 3/4" ET EQUIVALENT CABLE ENTRIES FROM BOTTOM SIDE - REFER DRAWING
 - 5 - CABLE GLAND - (Ex d) DOUBLE COMPRESSION TYPE CABLE GLAND OF 'SUDHIR' MAKE
 - 6 - STOPPING PLUG - (Ex d) STOPPING PLUG OF 'SUDHIR' MAKE

Fitting OPTIONS :

- 1) MATERIAL CONSTRUCTION : STAINLESS STEEL
- 2) VOLTAGE : 110V / 230V / 415V AC
- 3) CABLE GLAND & PLUG : BRASS/S.S./ALUMINIUM
- 4) PAINT SHADE : 632/356/7031/7032, etc... (As per Standard)
- 5) CANOPY : M.S. / G.I. / FRP
- 6) AMP. RATING : UPTO 32 Amp. (MAX.)

THIS DRAWING IS PROPERTY OF "SUDHIR SWITCHGEARS PVT. LTD." AND MUST BE RETURNED ON REQUEST IF IT IS SUBMITTED AS CONFIDENTIAL INFORMATION IN CONNECTION WITH ENQUIRY, TENDER, ORDER, OR CONTRACTS IT IS NOT TO BE USED FOR ANY OTHER PURPOSE OR ORDER NOR MAY IT RE-COPIED OR LENT WITHOUT OUR AUTHORITY IN WRITING.

NOTE :		CAT. No.	IL/1010
COMPONENT LAYOUT IS TENTATIVE RELOCATION OF PARTS & COMPONENTS IS POSSIBLE AT THE TIME OF ACTUAL MANUFACTURING.		MODEL No.:	IL/1010-S
OVERALL DIMENSIONS ARE ±10mm		DRN.	profili
Δ		CHKD.	JASJHV
Δ		APPD.	
Δ		SHEET	1 OF 1
REV.	DATE	DESCRIPTION	DRN.
			CHD.
			APPD.
			SCALE
			N. T. S. REV.- 0

SUDHIR SWITCHGEARS PVT. LTD.
130, MALLA SAIKUPPER MARG, MALLA - 400 023

TITLE : **FLAMEPROOF - WEATHERPROOF ENCLOSURE FOR CONTROL STATION WITH INDICATORS**

CIMFR CERT. No. : IN/CIMFR/TR21/R/H124
Dt. 08/07/2021
PESO No. : P537976/1
Dt. 02/06/2022
BIS LICENCE No. : CM/L-000331365